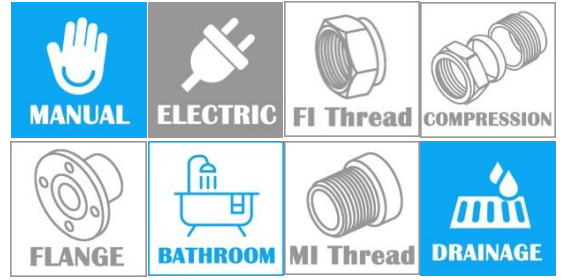
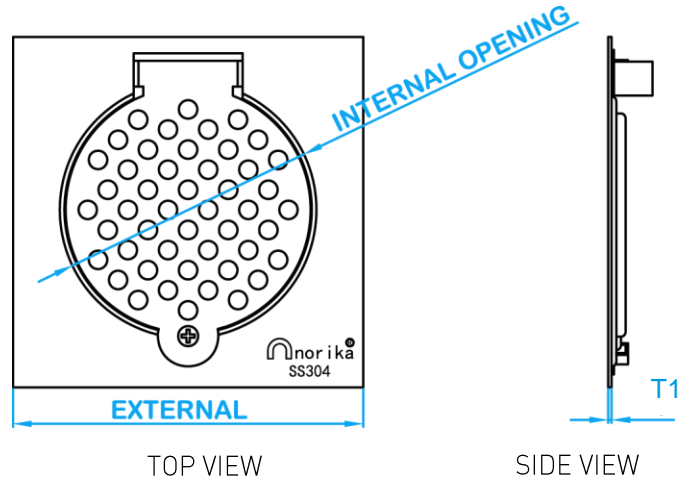


STAINLESS STEEL AISI304 & AISI316 SQUARE GRATINGS



COMPLY WITH SS213:1998

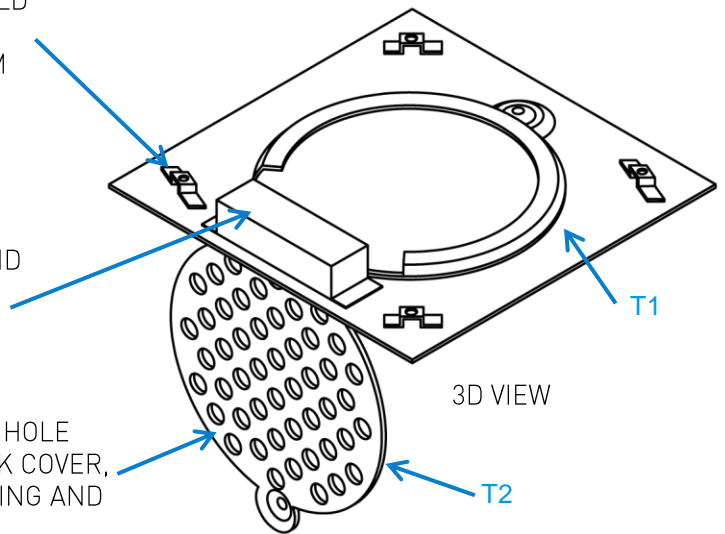
WITH LOCK



GRIPS ARE ADDED TO HOLD ONTO THE CEMENT AND PREVENT GRATING FROM SLIPPING OFF.

ADDITIONAL COVER IS DESIGNED TO ENABLE THE LID TO BE OPENED EASILY BY PREVENTING CEMENT FROM SEEPING IN.

150x150 & 200x200MM WITH HOLE
REGULAR STYLE: 2MM THICK COVER,
CAN INCREASE LOAD-BEARING AND
PREVENT DEFORMATION.



DIMENSIONS

SKU	MATERIAL	SURFACE	INTERNAL OPENING (mm)	T1×T2 (mm)	EXTERNAL (mm)	WEIGHT (kg)	PCS/CTN
SSGN100HLWL	AISI304L	HAIRLINE	70	1.5×1.5	100×100	0.120	100
SSGN150HLWL	AISI304L			1.5×2.0		0.310	40
SSGN150HLWL316	AISI316L		105	1.5×2.0	150×150	0.310	40
SSGN150HLWLHD	AISI304L			3.0×3.0		0.520	40
SSGN200HLWL	AISI304L		130	1.5×2.0	200×200	0.514	25